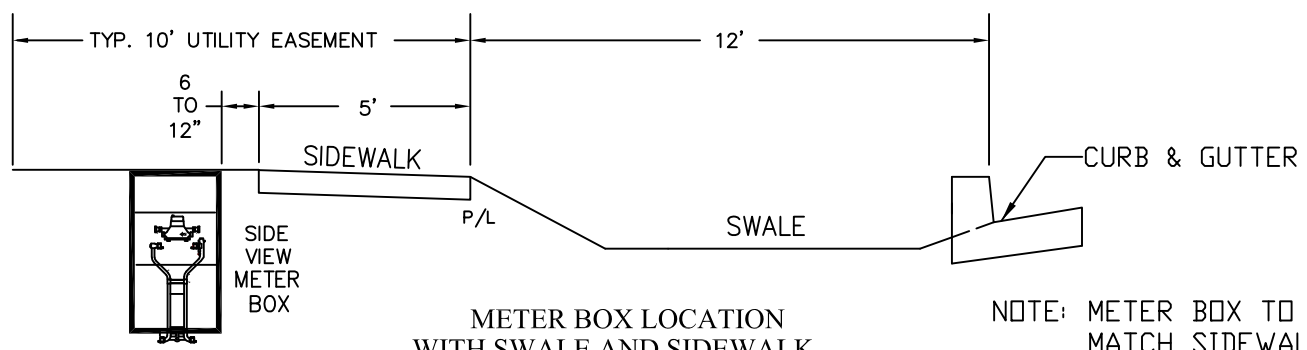
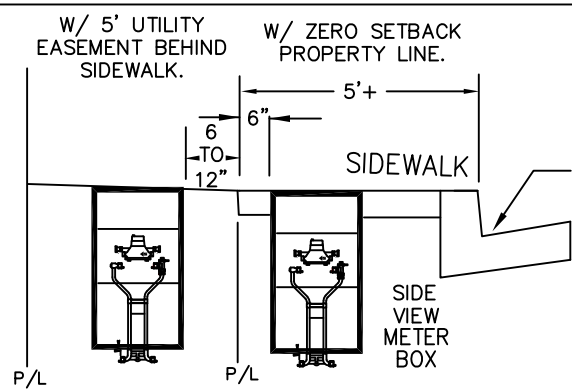


METER BOX LOCATION WITH PARK STRIP AND SIDEWALK

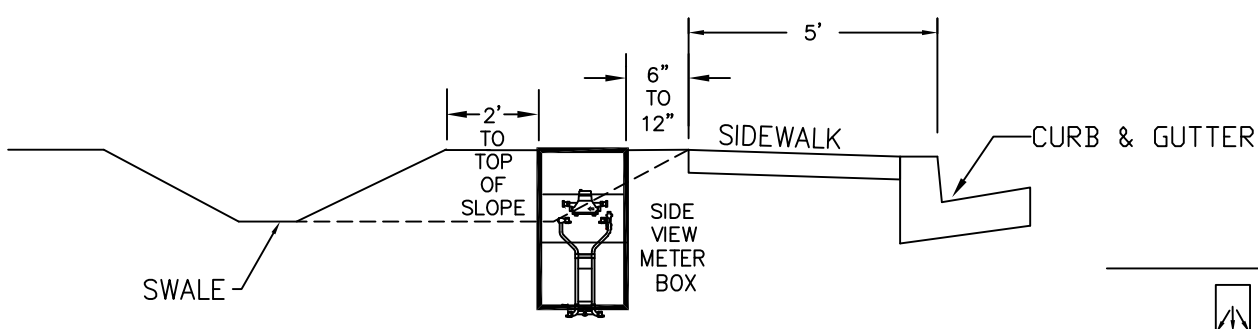
NOTE: METER BOX TO MATCH CURB ELEVATION

METER BOX LOCATION W/ METER BOX IN SIDEWALK AND PROPERTY LINE AT BACK OF SIDEWALK - OR - METER BOX LOCATION W/ METER BOX IN 5' UTILITY EASEMENT BEHIND THE SIDEWALK.

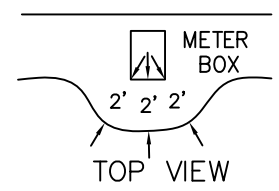


METER BOX LOCATION WITH SWALE AND SIDEWALK

NOTE: METER BOX TO MATCH SIDEWALK ELEVATION



METER BOX LOCATION WITH SIDEWALK



CITY OF COEUR D'ALENE STANDARD DRAWING

WATER METER LOCATIONS

APPROVED BY:
Chris Busby
 CITY ENGINEER, PE 10804
 DATE: 10/1/24
 DWG NO. W-2