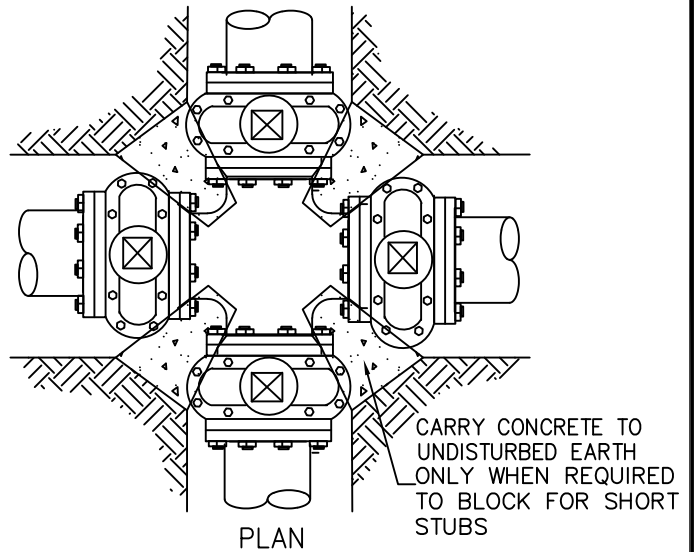
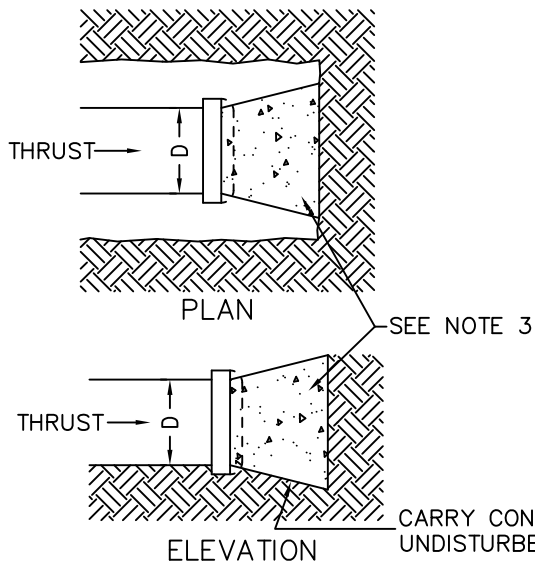


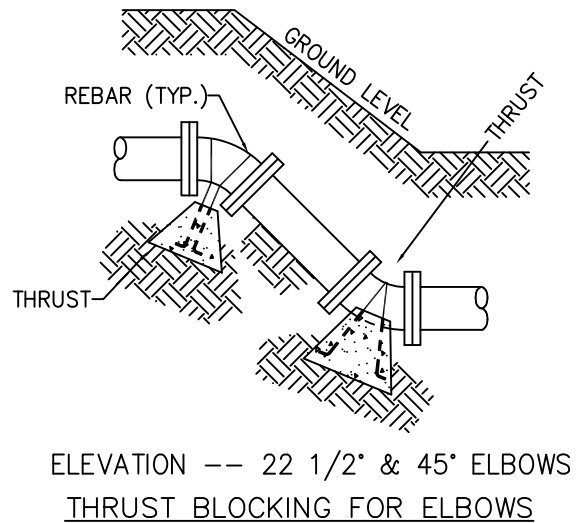
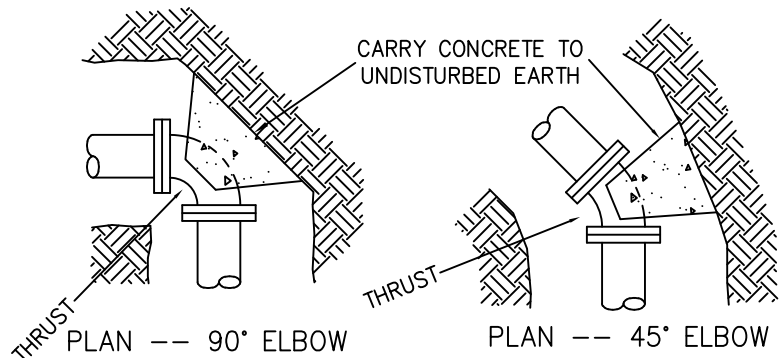
THRUST BLOCKING FOR TEES



THRUST BLOCKING FOR CROSS AS DIRECTED



THRUST BLOCKING FOR CAPS



- NOTES:**
1. ALL CONCRETE TO BE MIN 2500 P.S.I. KEEP CONCRETE CLEAR OF NUTS AND BOLTS WHEN USING FLANGED FITTINGS.
  2. SEE STANDARD DRAWING W-10 FOR THRUST BLOCK BEARING AREAS.
  3. USE MIN 4 MILL PLASTIC WRAPPED AGAINST FITTINGS TO PROTECT BOLTS.
  4. ECOLOGY BLOCKS MAY BE USED IF WITH PRIOR APPROVAL FOR MAINS 12" & LESS WITH THRUST CALCS PROVIDED TO CITY.
  5. 11 1/4" FITTINGS DO NOT REQUIRE THRUST BLOCKS IF MEGALUGGED.



CITY OF COEUR D'ALENE STANDARD DRAWING

# THRUST BLOCKING

APPROVED BY:

*Chris Bosley*  
CITY ENGINEER, PE 10802

10/1/24  
DATE:

DWG NO.

W-9